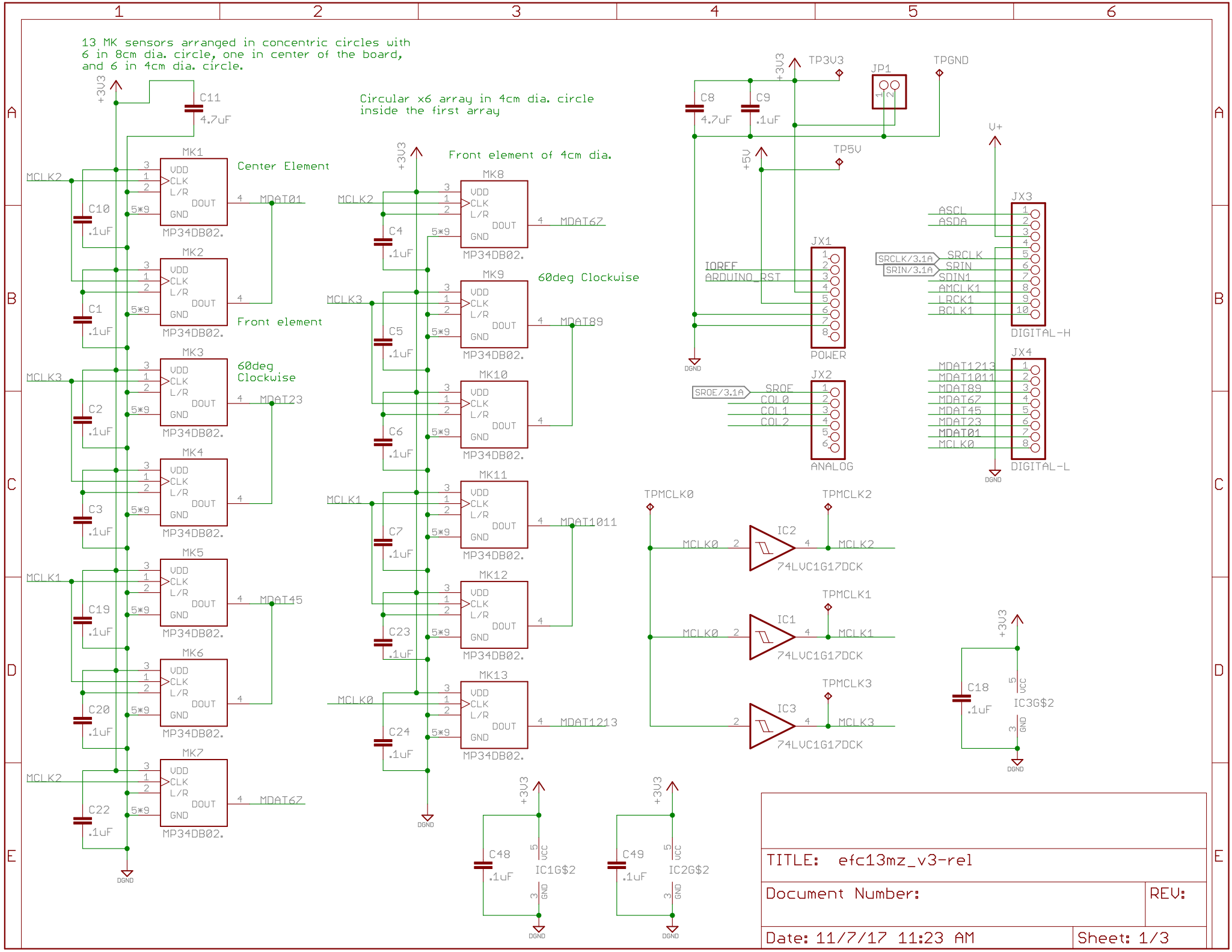


13 MK sensors arranged in concentric circles with 6 in 8cm dia. circle, one in center of the board, and 6 in 4cm dia. circle.

Circular x6 array in 4cm dia. circle inside the first array



TITLE: efc13mz_v3-rel	
Document Number:	REV:
Date: 11/7/17 11:23 AM	Sheet: 1/3

1

2

3

4

5

6

A

B

C

D

E

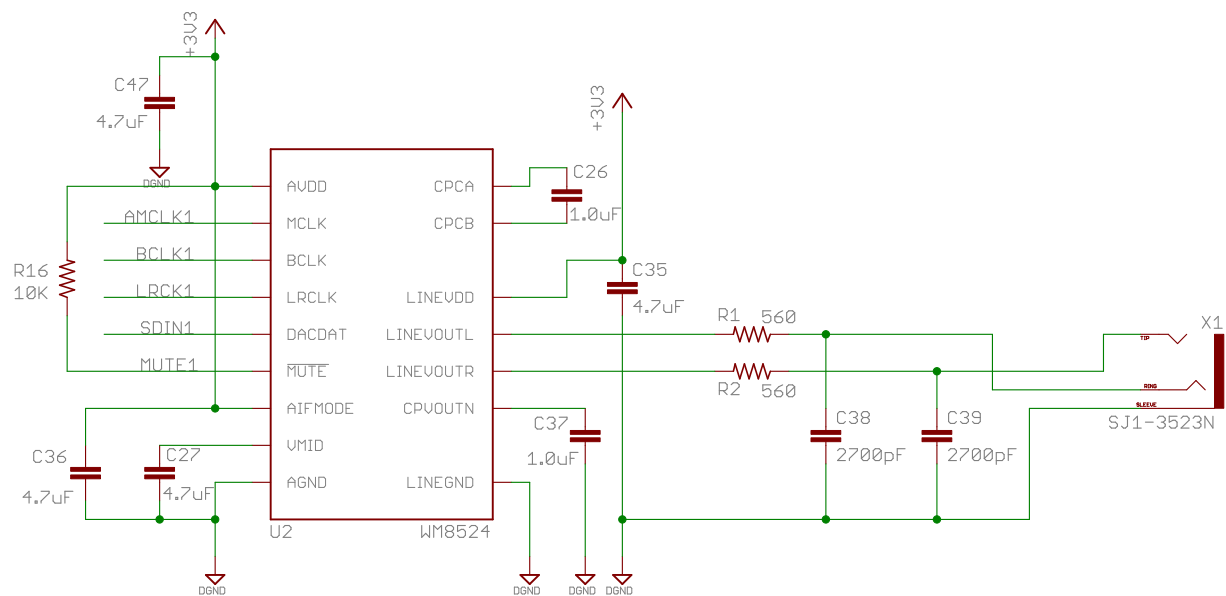
A

B

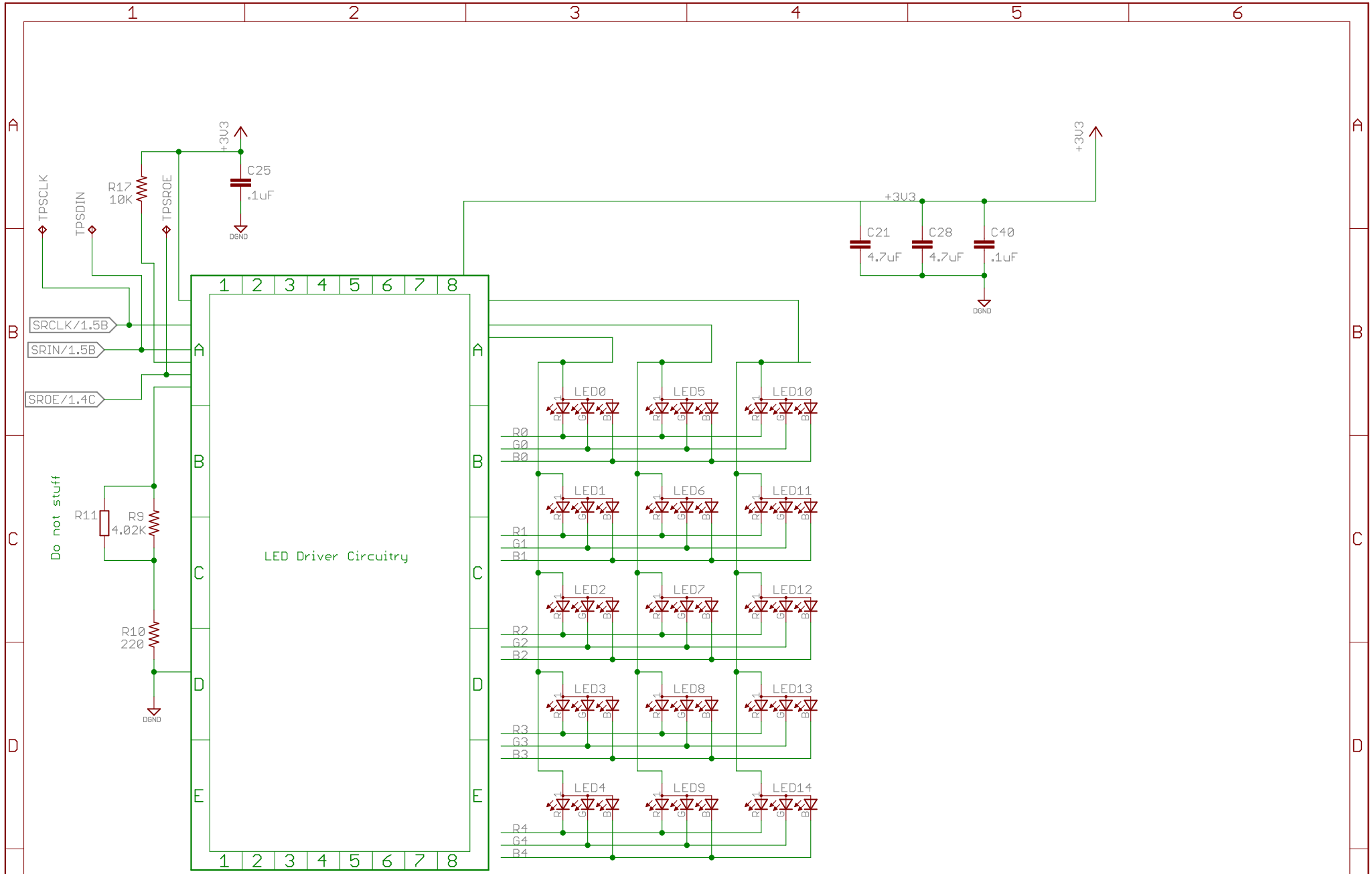
C

D

E



TITLE: efc13mz_v3-rel	
Document Number:	REV:
Date: 11/7/17 11:23 AM	Sheet: 2/3



15 LEDs total mounted on opposite side of components (same side as sensor openings) 12 mounted in 8.2cm circle outside of MKxx sensors. The remaining 3 are placed 1cm "above" first mic, 0deg above center.

TITLE: efc13mz_v3-rel	
Document Number:	REV:
Date: 11/7/17 11:23 AM	Sheet: 3/3